

Innovative Ag Products

Spouting & Accessories

Key Features:

- Urethane lining, ceramic, and high impact lining
- Custom sizes
- In stock options
- Quick delivery
- Installation
- Delivery
- Custom colors

Round

Custom lengths and custom sizes are available as well as delivery. Standard sizes are 6"-20", 10 ga. & 7 ga.

Square

Custom lengths and sizes are available as well as delivery. Standard sizes are 8"-30", 7, 10, & 12 gauge steel construction. Ceramic tile, urethane, and high impact lining options are available.

Diverters: K&Y Style

Standard and custom sizes are available as well as lining options. Manual, electric, hydraulic, and pneumatic options are available as well. Rack and pinion and flop style gates are available. Standard sizes are 6"-36"

Dead Stops

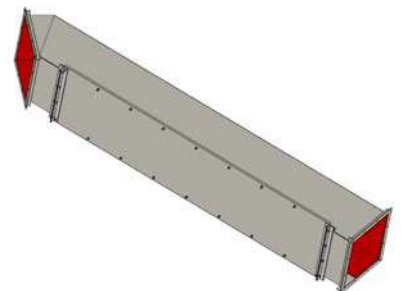
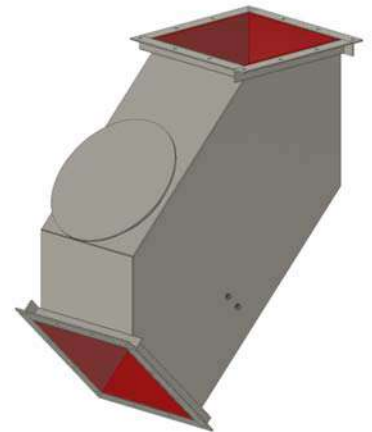
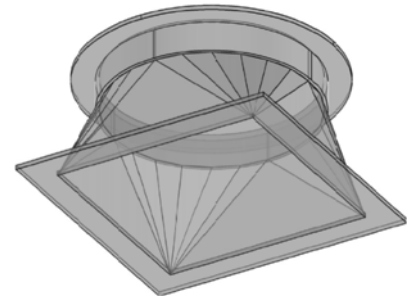
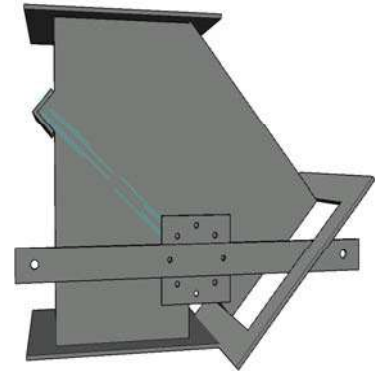
Custom lining options are available as well as custom sizes and standard sizes as well.

In line flow retarder

Various lining options are available as well as standard and custom sizes.

Spouting Accessories

2 piece & 3 piece elbows, Flange clamps, angle flanges, flat style flanges, and square to rounds.



Call Us For Pricing!

Innovative Ag Products

4326 Highway 212

Montevideo, MN 56265

www.innovativeagproducts.com

info@innovativeagproducts.com

320-321-0836

