

**Models:**

- 3,500 BPH
- 5,000 BPH
- 10,000 BPH
- 15,000 BPH
- 20,000 BPH

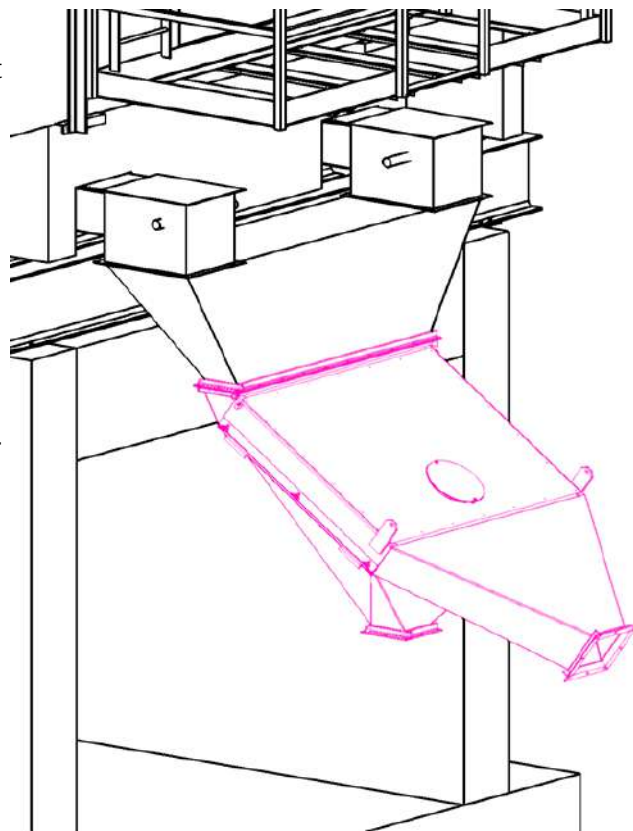
**Key Features**

- Quick change screens
- Adjustable flow conditioning inlet
- Easy access panels
- Hardened steel screens sized for multiple grain varieties
- Generous si/bu ratio
- Inspection door

**Options**

- Custom paint colors and specs
- Custom screen configurations/sizes
- Custom lining options
- Standard and custom service platforms

Our inline screeners are a popular option to remove fines with height and foot print restrictions. This gives the ability to remove fines without much interruption to an existing facility. Screen surface area (si/bu ratio's) is maximized with our flow conditioning baffles to slow and spread grain evenly over the screen. This allows for effectively utilizing screen surface area and minimizing screen blinding. With different applications, we're able to include a bypass system when necessary as well. Our bypass is designed so that all or just part of the grain stream can be screened and/or bypassed, allowing the operator to take out the right amount of fines to make grade.



A popular location for these screeners is to be installed on dryer discharges. This requires minimal millwright work to be done as the screener discharge can be spouted into an existing conveying system. Often customers will collect the fines in a gravity wagon, dumpster, or container and blend or feed the rest to livestock.

